

Fax Option/G3/ISDN Option  
Type 1027  
(B418/B448/B449)

## **Fax Option/G3/ISDN Option Type 1027 (B418/B448/B449)**

### **PARTS CATALOG**

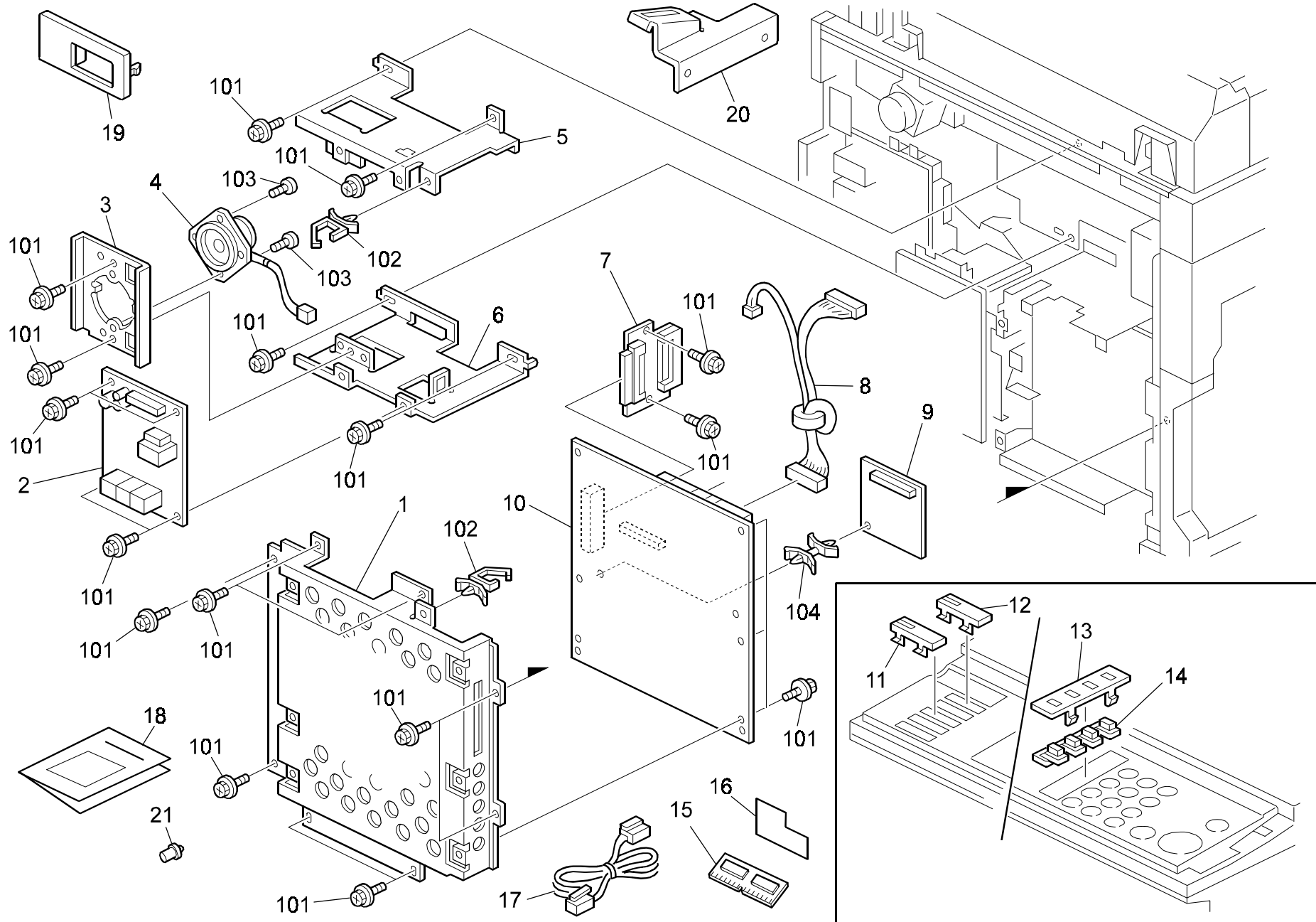
This catalog gives the numbers and names of parts on this machine.

### **CONTENTS**

1.FAX OPTION TYPE 1027 (B418) .....	2
2.G3 INTERFACE UNIT TYPE 1027 (B448) .....	4
3.ISDN OPTION TYPE 1027 (B449).....	6
4.MBU BOARD (B418).....	8
5.NCU BOARD (120V B418/B448) .....	10
6.NCU BOARD (230V B418/B448) .....	12
7.FCU BOARD (120V B418) .....	14
8.FCU BOARD (230V B418) .....	18
<b>PARTS INDEX .....</b>	<b>23</b>

**August ,10 ' 2001**

# 1.FAX OPTION TYPE 1027 (B418)

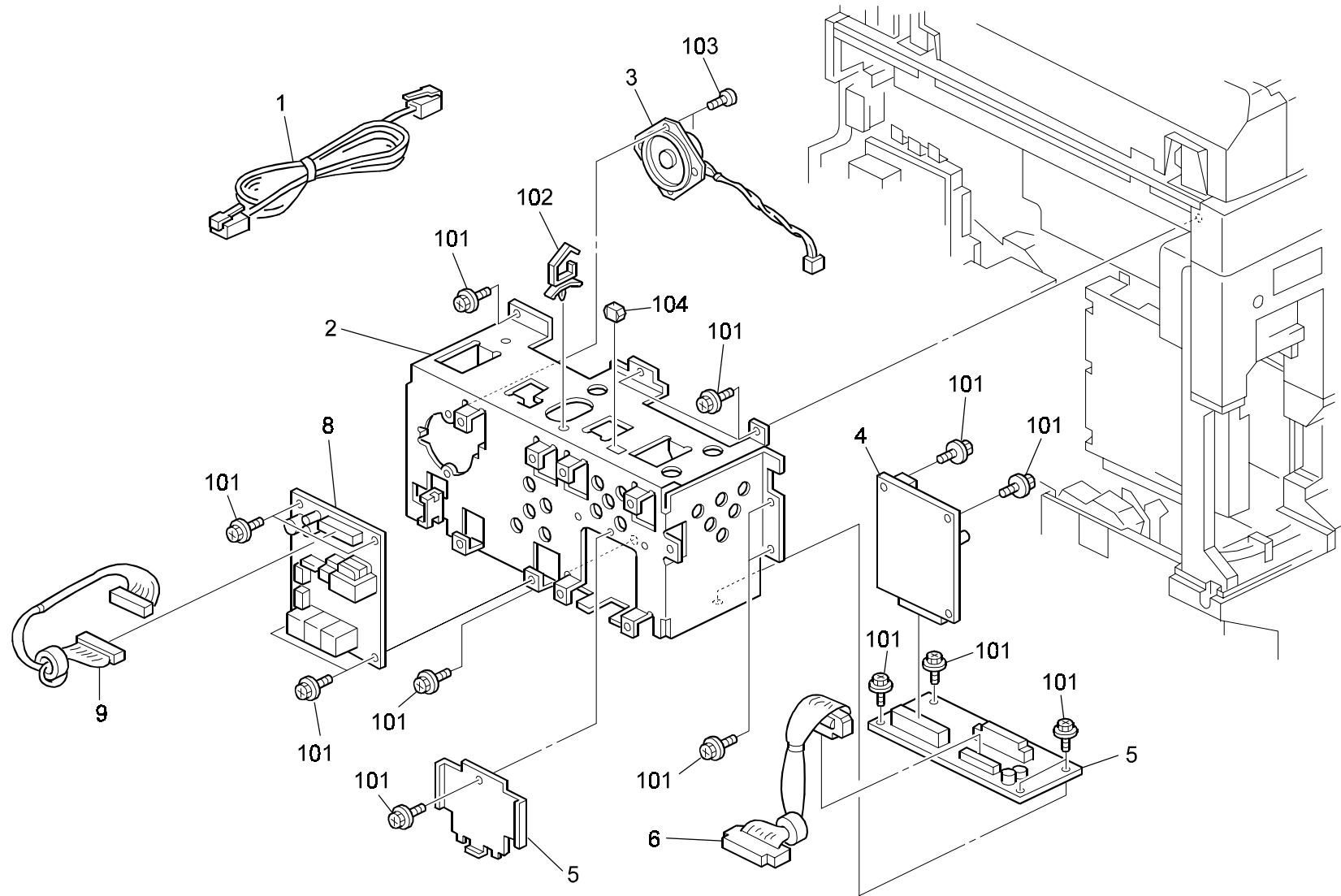


## 1.FAX OPTION TYPE 1027 (B418)

Index No.	Part No.	Description	Q'ty Per Assembly
1	B031 5861	Shadeing Plate:fax Control Unit	1
2	5488 6122	NCU Board - 115V	1
2	B418 5195	NCU Board - 230V	1
3	B024 5868	Bracket - Speaker	1
4	G025 1211	Speaker - GS	1
5	B024 5865	Bracket - NCU-upper	1
6	B024 5866	Bracket - NCU-Lower	1
7	B028 5192	FCUIF Board	1
8	B028 5270	Harness - FCU-NCUSP - NA	1
8	B418 5272	Harness - FCU-NCUSP - EU	1
9	B418 5001	MBU Board - NA	1
9	B418 5002	MBU Board - EU	1
10	B418 5172	FCU Board - NA	1
10	B418 5173	FCU Board - EU	1
11	B418 7151	Keytop - FAX-NA	1
12	B418 7150	Key Top - Copy (USA)	1
12	B418 7170	Key Top - Copy (EU)	1
13	B418 7152	Cover - Keytop - FAX - NA	1
13	B418 7172	Cover - Keytop - FAX - EU	1
14	B027 1447	Keytop - FAX - NA	1
14	B418 7171	Keytop - FAX - EU	1
15	B418 5185	DIMM - FAX	1
16	B404 3861	SG3 Decal	1
17	H523 5350	Telephone Cable	1
18	B418 8607	Operating Instructions - FAX-NA1	1
18	B418 8657	Operating Instructions - FAX-NA2	1
19	B418 1370	NCU Cover	1
20	B450 5821	Bracket - Hand Set	1
21	H511 5007	Stamp	1

Index No.	Part No.	Description	Q'ty Per Assembly
101	0451 3006B	Tapping Screw - M3x6	
102	1105 0516	Clamp	
103	0453 3006B	Tapping Screw - M3x6	
104	1105 0441	Spacer - 8mm	

## 2.G3 INTERFACE UNIT TYPE 1027 (B448)

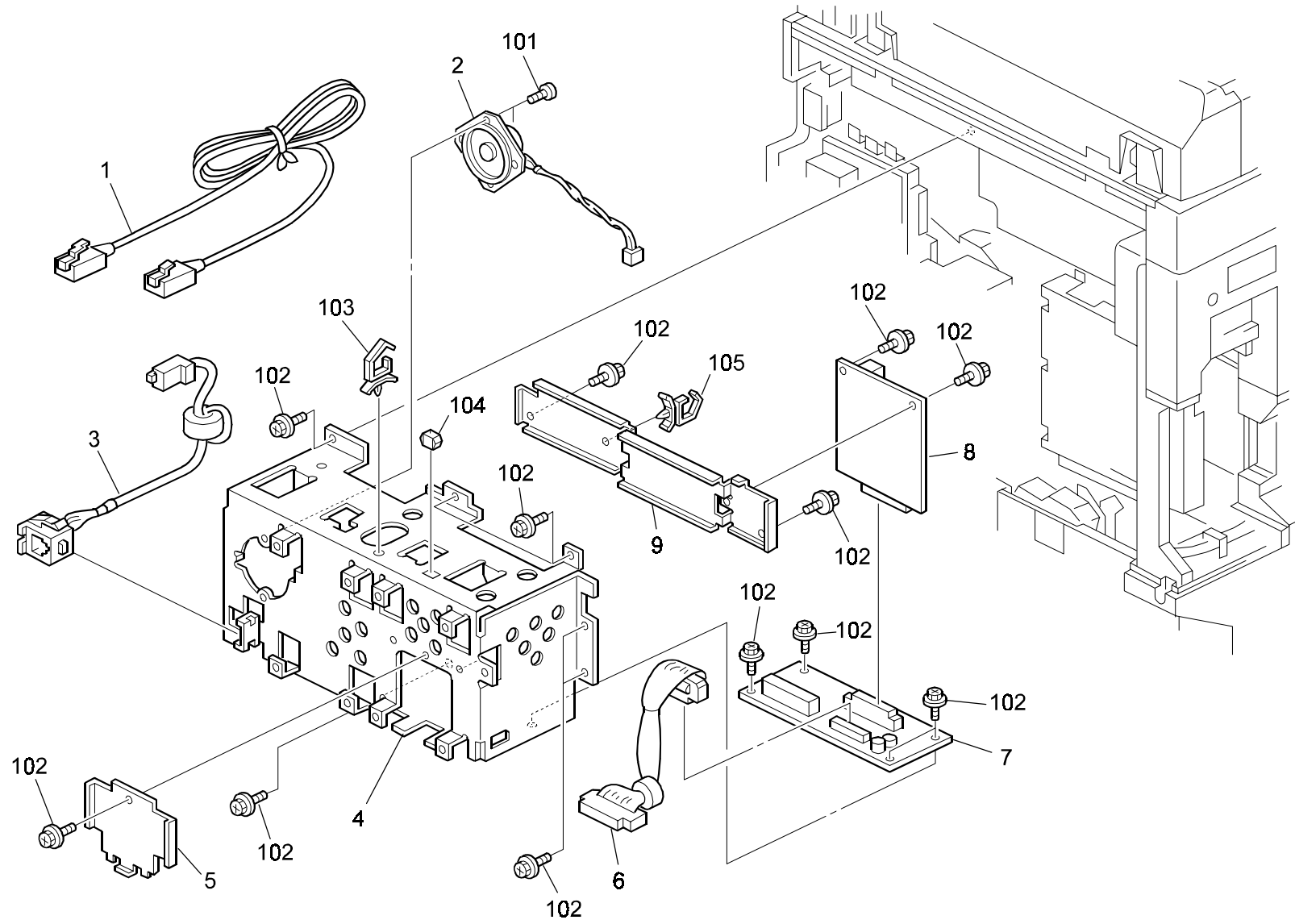


## 2.G3 INTERFACE UNIT TYPE 1027 (B448)

Index No.	Part No.	Description	Q'ty Per Assembly
1	H523 5350	Telephone Cable	1
2	A895 5810	Bracket Fax Option	1
3	G025 1211	Speaker - GS	1
4	A895 5170	SG3-V34 Board - NA	1
5	B449 5190	CCUIF Board	1
6	A268 5272	FCU - Excom Harness	1
7	A895 5811	Bracket Harness	1
8	5488 6122	NCU Board - 115V	1
9	A268 5273	Excom - NCU Harness (NA)	1

Index No.	Part No.	Description	Q'ty Per Assembly
101	0451 3006B	Tapping Screw - M3x6	
102	1105 0460	Clamp	
103	0453 3006B	Tapping Screw - M3x6	
104	1102 4473	CT Connector - 2p	

### 3.ISDN OPTION TYPE 1027 (B449)



### 3.ISDN OPTION TYPE 1027 (B449)

Index No.	Part No.	Description	Q'ty Per Assembly
1	H306 5216	Moduler Cord - ISDN	1
2	G025 1211	Speaker - GS	1
3	B449 5271	Harness - G4	1
4	A895 5810	Bracket Fax Option	1
5	A895 5811	Bracket Harness	1
6	A268 5272	FCU - Excom Harness	1
7	B449 5190	CCUIF Board	1
8	H547 6185	SIG4 Board	1
9	B449 5831	Bracket - G4	1

Index No.	Part No.	Description	Q'ty Per Assembly
101	0453 3006B	Tapping Screw - M3x6	
102	0451 3006B	Tapping Screw - M3x6	
103	1105 0460	Clamp	
104	1102 4473	CT Connector - 2p	
105	1105 0487	Harness Clamp	



## 4.MBU BOARD (B418)

### BATTERY

SYMBOL NO.	INDEX NO.
BAT1	103

### CAPACITOR

SYMBOL NO.	INDEX NO.
C130	109
C131	110
C132	111
C133	114
C134	115
C135	115
C136	116
C137	116
C138	116
C139	116

SYMBOL NO.	INDEX NO.
C140	116
C141	116
C142	116
C143	116

### CONNECTOR

SYMBOL NO.	INDEX NO.
CN630	101

### DIODE

SYMBOL NO.	INDEX NO.
D1	104
D2	105

### IC

SYMBOL NO.	INDEX NO.
IC1	117
IC2	117
IC3	107
IC5	106
IC6	108

### RESISTOR

SYMBOL NO.	INDEX NO.
R1	112
R2	112
R3	112
R4	112
R5	112
R6	113

### SWITCH

SYMBOL NO.	INDEX NO.
SW1	102

#### 4.MBU BOARD (B418)

Index No.	Part No.	Description	Q'ty Per Assembly
*	B418 5001	MBU Board - NA	1
*	B418 5002	MBU Board - EU	1

Index No.	Part No.	Description	Q'ty Per Assembly
101	1102 8616	Connector - FX6-60P-0.8SV1	
102	1204 2457	Slide Switch - SSSS712ZC	
103	1206 0082	Lithium Cell- Cr2450-hj3	
104	1402 1336	Diode - 1SS355	
105	1402 1365	Diode - RB751V-40	
106	1407 4845	IC - TC7S66F	
107	1407 5151	IC - MBM29F160TE70TN	
108	1408 1333	IC - BA6162F	
109	1604 4306	Capacitor	
110	1604 4619	Capacitor - 10 $\mu$ F10V $\pm$ 20%	
111	1605 0976	Capacitor - 1 $\mu$ F+80% -20% 10V	
112	1630 4103	Resistor - 10K $\Omega$ $\pm$ 5% 1/16W	
113	1630 4104	Resistor - 100 $\Omega$ $\pm$ 5% 1/16W	
114	1644 0100	Capacitor - 10 $\mu$ F $\pm$ 20% 10V	
115	1660 2101	Capacitor - 100pF - $\pm$ 10% - 50V	
116	1660 8104	Capacitor - 0.1 $\mu$ F+80-20% 25V	
117	1902 0041	IC - 1M X8 70NS G10	

## 5.NCU BOARD (120V B418/B448)

### CAPACITOR

SYMBOL NO.	INDEX NO.
C2	117
C3	129
C4	128
C5	130

### CONNECTOR

SYMBOL NO.	INDEX NO.
CN1	102
CN2	102
CN3	101

### DIODE

SYMBOL NO.	INDEX NO.
D1	107
D2	107

### FILTER

SYMBOL NO.	INDEX NO.
FIL1	118
FIL2	118

### JP

SYMBOL NO.	INDEX NO.
JP1	131
JP2	131
JP3	131
JP4	131
JP5	131
JP6	131
JP9	131
JP10	131
JP11	131
JP12	131

SYMBOL NO.	INDEX NO.
JP13	131
JP14	131

### PC

SYMBOL NO.	INDEX NO.
PC1	110
PC2	111
PC3	109

### DB

SYMBOL NO.	INDEX NO.
DB1	132

### FUSE

SYMBOL NO.	INDEX NO.
FU1	103

### L

SYMBOL NO.	INDEX NO.
L1	119

### Q

SYMBOL NO.	INDEX NO.
Q1	105
Q2	106
Q3	2

### RESISTOR

SYMBOL NO.	INDEX NO.
R1	120
R2	116
R3	121
R4	124
R5	123
R6	122
R7	127
R8	126
R9	125

### RELAY

SYMBOL NO.	INDEX NO.
RY1	104

### T

SYMBOL NO.	INDEX NO.
T2	1

### VARISTOR

SYMBOL NO.	INDEX NO.
V1	113
V2	112
V3	114
V4	114

### ZD

SYMBOL NO.	INDEX NO.
ZD1	108
ZD2	108

## 5.NCU BOARD (120V B418/B448)

Index No.	Part No.	Description	Q'ty Per Assembly
*	5488 6122	NCU Board - 115V	
1	H306 7111	Trans - LT9860	
2	H502 7111	Transistor- 2SC4505Q	

Index No.	Part No.	Description	Q'ty Per Assembly
101	1102 4212	CT Header - 15P	
102	1102 6415	Modular Cord - 6-6p	
103	1107 0947	Fuse - 230.500	
104	1208 1410	Relay - EC2-224ND	
105	1400 0826	Transistor - 2SA1776	
106	1400 0844	Transistor - FMG8A	
107	1401 0821	Diode - 1SS133	
108	1402 1224	Diode - MTZJ5.1A	
109	1403 0598	Photo Coupler - PS2501-2	
110	1403 0620	Photo Coupler	
111	1403 0812	Photocoupler - PS2532-1-V	
112	1404 0129	Varystor - VR - 63B	
113	1404 0341	Varystor - TNR9G101K	
114	1404 0937	Arastor - DSSV-401M-YD	
115	1405 0180	Rectifier - OR5G4B42	
116	1601 5276	Resistor - 18 $\Omega$	
117	1606 1860	Capacitor - 0.47 $\mu$ F250V	
118	1607 0069	Fuse - BI02RN2-R62-PB	
119	1607 0396	Choke - SBT-0180W	
120	1611 4473	Resistor - 47K $\Omega$ 1/4T $\pm$ 5%	
121	1611 9182	Resistor - 1.8k $\Omega$ $\pm$ 5% 1/2W	
122	1630 3104	Resistor - 100K $\Omega$ 1/10W $\pm$ 5%	
123	1630 3151	Resistor - 150 $\Omega$ $\pm$ 5% 1/10W	
124	1630 3180	Resistor - 18 $\Omega$ $\pm$ 5% 1/10W	
125	1630 3392	Resistor - 3.9k $\Omega$ - 1/10W	
126	1633 2002	Resistor - 20K $\Omega$ $\pm$ 1% 1/10W	
127	1633 4702	Resistor - 47K $\Omega$ $\pm$ 1/10W	
128	1640 5221	Capacitor - 220 $\mu$ F $\pm$ 20% 50V	
129	1643 5100	Capacitor - 10 $\mu$ F $\pm$ 20% 50V	
130	1643 5229	Capacitor - 2.2 $\mu$ F $\pm$ 20% 50V	

## 6.NCU BOARD (230V B418/B448)

### CAPACITOR

SYMBOL NO.	INDEX NO.
C1	127
C2	126
C3	143
C4	125
C5	124
C6	144
C8	142
C9	123
C10	147
C11	147

### CONNECTOR

SYMBOL NO.	INDEX NO.
C12	145
C13	147
C14	146

SYMBOL NO.	INDEX NO.
CN1	102
CN2	101
CN3	103
CN4	103

### DIODE

SYMBOL NO.	INDEX NO.
D1	110
D2	110
D3	110
D4	110

### DB

SYMBOL NO.	INDEX NO.
DB1	113
DB2	113
DB3	120

### FILTER

SYMBOL NO.	INDEX NO.
FIL1	128
FIL2	128
FIL3	129

### HIC

SYMBOL NO.	INDEX NO.
HIC	2

### JP

SYMBOL NO.	INDEX NO.
JP1	148
JP2	148
JP3	148
JP4	148
JP5	148
JP6	148
JP7	148
JP8	148
JP9	148
JP10	148

### JP

SYMBOL NO.	INDEX NO.
JP11	148
JP12	148
JP13	148
JP14	148
JP15	148
JP16	148
JP17	148

### L

SYMBOL NO.	INDEX NO.
L1	131
L2	130

### PC

SYMBOL NO.	INDEX NO.
PC1	114
PC3	115
PC2	116
PC4	116

### Q

SYMBOL NO.	INDEX NO.
Q1	108
Q2	106
Q3	107
Q4	109
Q5	109

### RESISTOR

SYMBOL NO.	INDEX NO.
R1	122
R2	134
R3	134
R4	133
R5	121
R6	132
R7	132
R8	140
R9	136
R10	141

### RELAY

SYMBOL NO.	INDEX NO.
R11	137
R12	139
R13	139
R14	139
R15	137
R16	138
R17	138
R18	135

### RELAY

SYMBOL NO.	INDEX NO.
RY1	105
RY2	104

### T

SYMBOL NO.	INDEX NO.
T2	1

### VARISTOR

SYMBOL NO.	INDEX NO.
V1	118
V2	117
V4	119

### ZD

SYMBOL NO.	INDEX NO.
ZD1	111
ZD2	111
ZD3	112
ZD4	112

## 6.NCU BOARD (230V B418/B448)

Index No.	Part No.	Description	Q'ty Per Assembly
*	B418 5195	NCU Board - 230V	1
1	H306 7121	Transformer - 98-60	1
2	H545 7108	HIC - 220/240V	1
101	1102 4204	CT Header - 5P	
102	1102 4212	CT Header - 15P	
103	1102 6415	Modular Cord - 6-6p	
104	1208 1410	Relay - EC2-224ND	
105	1208 1419	Relay - ALD124	
106	1400 0358	Transistor - 2SA950-0	
107	1400 0576	Transistor - 2SC3621	
108	1400 0577	Transistor - 2SA1320	
109	1400 0844	Transistor - FMG8A	
110	1401 0821	Diode - 1SS133	
111	1402 1223	Diode - MTZJ2.0A	
112	1402 1224	Diode - MTZJ5.1A	

Index No.	Part No.	Description	Q'ty Per Assembly
113	1402 1335	Bridge-s1wb(a)60	
114	1403 0791	Photocoupler - PS2561-1-V	
115	1403 0812	Photocoupler - PS2532-1-V	
116	1403 0950	Photocoupler- PS2532-2-V	
117	1404 0283	Varistor - TNR9G431K	
118	1404 0342	Varistor - TNR9G121K	
119	1404 0983	Arrestor - RA-102MS-V7-F(5)	
120	1405 0180	Rectifier - OR5G4B42	
121	1600 1638	Resistor - 47Ω ±5% 1W	
122	1601 5420	Resistor - 120Ω ±5% 2W	
123	1604 4301	Capacitor - 220μF±20%	
124	1606 1761	Capacitor - 1.0μF250V	
125	1606 1860	Capacitor - 0.47μF250V	
126	1606 1877	Capacitor - 0.027μF±10%	
127	1606 2026	Capacitor - 0.1μF±10%	
128	1607 0069	Fuse - BL02RN2-R62-PB	
129	1607 0536	Fuse Core - EXCELDR35C	
130	1607 0760	Coil - TLF9UB302W	
131	1607 1083	Coil - ELF1010SKI-332J	
132	1611 4120	Resistor - 12 Ω 1/4W	
133	1611 4153	Resistor - 15K Ω 1/4T ±5%	
134	1611 9303	Resistor - 30kΩ ±5% 1/2W	
135	1630 3100	Resistor - 10 Ω ±5% 1/10W	
136	1630 3103	Resistor - 10KΩ 1/10W ±5%	
137	1630 3302	Resistor - 3kΩ - 1/10W	
138	1630 3471	Resistor - 470Ω - 1/10W	
139	1630 3472	Resistor - 4.7KΩ 1/10W ±5%	
140	1633 1602	Resistor - 16KΩ ±1% 1/4W	
141	1633 7501	Resistor - 7.5K Ω ±5% 1/10W	
142	1640 5101	Capacitor - 100μF±20% 50V	
143	1643 5100	Capacitor - 10μF±20% 50V	
144	1643 5479	Capacitor - 4μF±20% 50V	
145	1660 5102	Capacitor - 1000pF ±10% 50V	
146	1660 5222	Capacitor - 2200pF ±10% 50V	
147	1660 7103	Capacitor - 10000pF 50V	

## 7.FCU BOARD (120V B418)

### BATTERY

SYMBOL NO.	INDEX NO.
BAT1	111

### CAPACITOR

SYMBOL NO.	INDEX NO.
C1	199
C2	146
C3	199
C4	146
C5	146
C6	199
C7	199
C8	187
C9	185
C10	187

SYMBOL NO.	INDEX NO.
C11	142
C12	199
C13	191
C14	199
C15	192
C16	---
C17	185
C18	199
C19	199
C20	199

SYMBOL NO.	INDEX NO.
C21	185
C22	185
C23	199
C24	---
C25	143
C26	---
C27	---
C28	---
C29	199
C30	199

SYMBOL NO.	INDEX NO.
C31	---
C32	199
C33	199
C34	195
C35	199
C36	199
C37	196
C38	185
C39	199
C40	199

SYMBOL NO.	INDEX NO.
C41	199
C42	189
C43	189
C44	189
C45	195
C46	199
C47	190
C48	---
C49	---
C50	---

SYMBOL NO.	INDEX NO.
C51	198
C52	199
C53	---
C54	144
C55	148
C56	189
C57	189
C58	199
C59	199
C60	186

### CAPACITOR

SYMBOL NO.	INDEX NO.
C61	140
C62	140
C63	199
C64	199
C65	199
C66	199
---	---
C68	199
C69	199
C70	199

SYMBOL NO.	INDEX NO.
C71	190
C72	148
C73	199
C74	141
C75	199
C76	141
C77	199
C78	199
C79	199
C80	199

SYMBOL NO.	INDEX NO.
C81	198
C82	199
C83	199
C84	199
C85	199
C86	195
C87	195
C88	198
C89	198
C90	198

SYMBOL NO.	INDEX NO.
C91	198
C92	199
C93	199
C94	---
C95	199
C96	199
C97	195
C98	195
C99	195
C100	199

SYMBOL NO.	INDEX NO.
C101	199
C102	199
C103	---
C104	---
C105	199
C106	199
C107	145
C108	199
C109	145
C110	196

SYMBOL NO.	INDEX NO.
C111	149
C112	199
C113	199
C114	199
C115	199
C116	195
C117	195
C118	195
C119	199
C120	195

SYMBOL NO.	INDEX NO.
C121	190
C122	199
C123	190
C124	190
C125	199
C126	199
C127	193
C128	199
C129	198
C130	199

## 7.FCU BOARD (120V B418)

### CAPACITOR

SYMBOL NO.	INDEX NO.
C131	199
C132	199
C133	199
C134	199
C135	199
C136	197
C137	199
C138	199
C139	199
C140	---

SYMBOL NO.	INDEX NO.
C141	199
C142	---
C143	---
C144	199
C145	198
C146	190
C147	190
C148	190
C149	190
C150	190

SYMBOL NO.	INDEX NO.
C151	190
C152	190
C153	199
C154	199
C155	199
C156	---
C157	199
C158	---
C159	---
C160	199

SYMBOL NO.	INDEX NO.
C161	195
C162	198
C163	198
C164	198
C165	198
C166	194
C167	194
C168	198
C169	198
C170	---

SYMBOL NO.	INDEX NO.
C171	198
C172	147
C173	195
C174	198
C175	195
C176	199
C177	198

### CONNECTOR

SYMBOL NO.	INDEX NO.
CN600	104
CN601	106
CN602	109
CN603	105
CN610	101
CN612	103
CN615	102
CN620	107
CN621	108

### DIODE

SYMBOL NO.	INDEX NO.
D3	118
D4	120
D5	117
D6	118
D7	118

### FILTER

SYMBOL NO.	INDEX NO.
FIL1	150
FIL4	153
FIL5	153
FIL6	153
FIL7	153
FIL8	153
FIL9	150

### HIC

SYMBOL NO.	INDEX NO.
HIC1	3

### IC

SYMBOL NO.	INDEX NO.
IC1	129
IC6	124
IC7	132
IC9	200
IC10	124
IC11	125
IC12	2
IC14	1
IC15	128
IC16	130

SYMBOL NO.	INDEX NO.
IC17	131
IC19	127
IC20	129
IC21	126
IC22	123
IC23	129
IC26	201

### JP

SYMBOL NO.	INDEX NO.
JP1	176
JP2	176
JP3	176
JP4	176
JP6	176
JP8	176
JP9	176
JP10	176
JP11	176

### L

SYMBOL NO.	INDEX NO.
L2	152
L4	151

### LED

SYMBOL NO.	INDEX NO.
LED1	121
LED2	122



## 7.FCU BOARD (120V B418)

### OSC

SYMBOL NO.	INDEX NO.
OSC1	134
OSC3	133

### Q

SYMBOL NO.	INDEX NO.
Q1	113
Q4	112
Q5	112
Q6	114
Q8	116
Q9	115

### RESISTOR

SYMBOL NO.	INDEX NO.
R1	155
R2	156
R3	156
R4	172
R5	179
R6	180
R7	182
R8	184
R9	180
R10	182

SYMBOL NO.	INDEX NO.
R11	160
R12	155
R13	155
R14	183
R15	172
R16	177
R25	168
R26	160
R27	168
R28	168

SYMBOL NO.	INDEX NO.
R29	171
R30	161
R31	158
R35	160
R38	168
R39	168
R40	160
R41	158
R42	165
R43	168

SYMBOL NO.	INDEX NO.
R44	168
R45	157
R46	168
R47	168
R48	171
R49	168
R50	161
R52	160
R53	160
R54	160

SYMBOL NO.	INDEX NO.
R55	162
R56	175
R57	173
R58	173
R59	167
R60	161
R61	167
R62	166
R63	174
R64	178

### RESISTOR

SYMBOL NO.	INDEX NO.
R65	178
R66	158
R67	173
R68	173
R69	173
R70	173
R77	168
R84	160
R86	188
R87	160

SYMBOL NO.	INDEX NO.
R88	161
R89	154
R90	161
R91	164
R92	164
R93	163
R94	167
R95	160
R96	161
R97	160

SYMBOL NO.	INDEX NO.
R98	171
R99	171
R100	167
R101	170
R102	170
R103	160
R107	168
R108	168
R109	168
R110	168

SYMBOL NO.	INDEX NO.
R111	168
R112	168
R113	168
R114	168
R115	161
R116	161
R117	161
R118	168
R119	168
R120	168

SYMBOL NO.	INDEX NO.
R121	161
R122	166
R123	158
R124	169
R125	171
R126	181
R138	168
R139	166
R140	166
R141	169

SYMBOL NO.	INDEX NO.
R142	158
R143	160
R144	157
R145	160
R147	168
R148	160
R149	157
R150	160
R151	168
R152	159

SYMBOL NO.	INDEX NO.
R153	168
R154	160
R155	160
R156	160
R157	161
R158	161
R159	161
R160	161
R161	160
R162	161

## 7.FCU BOARD (120V B418)

### RN

SYMBOL NO.	INDEX NO.
RN1	136
RN2	136
RN3	136
RN4	136
RN5	136
RN6	136
RN7	136
RN8	136
RN9	136
RN10	136

SYMBOL NO.	INDEX NO.
RN11	136
RN12	136
RN13	136
RN14	135
RN15	135
RN16	137
RN17	136
RN18	136
RN19	136
RN20	136

SYMBOL NO.	INDEX NO.
RN21	136
RN22	136
RN23	136
RN24	136
RN25	138
RN26	138
RN27	138
RN28	138
RN29	138
RN30	136

SYMBOL NO.	INDEX NO.
RN31	136
RN32	136
RN33	136
RN34	135
RN35	135
RN36	138
RN37	139
RN38	139
RN39	139
RN40	139

SYMBOL NO.	INDEX NO.
RN41	139
RN42	139
RN43	139
RN44	139
RN45	139
RN46	139
RN47	135
RN48	135
RN49	135

### SWITCH

SYMBOL NO.	INDEX NO.
SW1	110

### ZD

SYMBOL NO.	INDEX NO.
ZD1	119

## 7.FCU BOARD (120V B418)

Index No.	Part No.	Description	Q'ty Per Assembly
*	B418 5172	FCU Board - NA	1
1	B005 7101	IC - FBI	1
2	B028 5510	IC - FACE2	1
3	H306 7103	IC - HICRW2	1

Index No.	Part No.	Description	Q'ty Per Assembly
101	1102 4212	CT Header - 15P	
102	1102 4464	CT Header(H) - 6P	
103	1102 4619	Connector - 2P	
104	1102 7098	Connector - TX25-80P-6ST-N1	
105	1102 7389	Connector - FH12-50S-0.5SV	
106	1102 7455	Connector - FX6-60S-0.8SV2	
107	1102 8063	Connector - 54373-0600	
108	1102 8089	Connector - 53493-0801	
109	1102 8189	DIMM Connector - 54534-1440	
110	1204 2373	Key Bord Switch - SKQDPA	
111	1206 0084	Lithium Cell - VL2330/1HF	
112	1400 0398	Transistor - 2SC2412K	
113	1400 0637	Transistor - DTC144EUA	
114	1400 0769	Transistor - 2SA1576A	
115	1400 0822	Transistor - 2SA1900	
116	1401 1116	Transistor - 2SC5053	
117	1402 1336	Diode - 1SS355	
118	1402 1343	Diode - RB106L-40	
119	1402 1345	Diode - UDZ3.6B	
120	1402 1437	Diode - RB500V-40	
121	1403 0829	Diode - SEC1201C	
122	1403 0945	LED - SEC1401C	
123	1407 1878	IC - TC4053BF	
124	1407 4532	IC - HD74HCT244FP	
125	1407 4533	IC - HD74HCT245FP	
126	1407 4649	IC - TC7S32FU	
127	1407 5010	IC - TC7SET08FU	
128	1407 5197	IC - TC7SZ126FU	
129	1408 0942	IC - BA4558F	
130	1408 1105	IC - RH5VL28C	
131	1408 1416	IC - RH5RI331B	
132	1408 1477	IC - R288F-29	
133	1503 0758	Oscillator - MC-306 32.768MHZ	
134	1503 0906	Oscilator - 28.224mhz	
135	1601 7752	Resistor Array - 10K $\Omega$ $\pm$ 5%	

Index No.	Part No.	Description	Q'ty Per Assembly
136	1601 7867	Resistor - 33 Ω ±5% 1/16W	
137	1601 7877	Resistor Array 4.7k Ω ±5% 1/3	
138	1601 7898	Resistor Array	
139	1601 7899	Resister Array - 56 Ω ±5% 1/1	
140	1604 4335	Capacitor - 220μF±20% 10V	
141	1604 4428	Capacitor - 100μF20% 16V	
142	1604 4550	Capacitor - 220μF±20% 25V	
143	1605 0870	Capacitor - 1200pF ±10% 50V	
144	1605 1055	Capacitor - 0.022μF±10% 25V	
145	1605 1122	Capacitor - 1μF+80-20% 10V	
146	1605 1133	Capacitor - 510pF ±5% 50V	
147	1605 1159	Capacitor - 0.068μF±10% 16V	
148	1605 1167	Capacitor - 0.22μF±10% 10V	
149	1605 1181	Capacitor - 10μF+80-20% 10V	
150	1607 0861	Filter - BK2125HS101	
151	1607 0897	Choke Coil - ELC08D271	
152	1607 0917	Inductor - LK2125 8R2K	
153	1607 1042	Filter - ACB1608M-600	
154	1630 1681	Resistor - 680 Ω ±5%	
155	1630 3100	Resistor - 10 Ω ±5% 1/10W	
156	1630 3331	Resistor - 330 Ω ±5% 1/10W	
157	1630 4100	Resistor - 10 Ω ±5% 1/16W	
158	1630 4101	Resistor - 100 Ω ±5% 1/16W	
159	1630 4102	Resistor - 1.0KΩ ±5% 1/16W	
160	1630 4103	Resistor - 10KΩ ±5% 1/16W	
161	1630 4104	Resistor - 100 Ω ±5% 1/16W	
162	1630 4105	Resistor - 1.0MΩ ±5% 1/16W	
163	1630 4123	Resistor - 12k Ω - ±5% 1/16W	
164	1630 4184	Resistor - 180k Ω ±5% 1/16W	
165	1630 4202	Resistor - 2k Ω - ±5% 1/6W	
166	1630 4204	Resistor - 200KΩ ±5% 1/16W	
167	1630 4223	Resistor - 22K Ω ±5% 1/16W	
168	1630 4330	Resistor - 33 Ω ±5% 1/8W	
169	1630 4332	Resistor - 3.3K Ω ±5% 1/16W	
170	1630 4333	Resistor - 33K Ω ±5% 1/16W	

Index No.	Part No.	Description	Q'ty Per Assembly
171	1630 4472	Resistor - 4.7KΩ ±5% 1/16W	
172	1630 4473	Resistor - 47k Ω - ±5% - 1/16	
173	1630 4560	Resistor - 56Ω ±5% 1/16W	
174	1630 4562	Resistor - 5.6k Ω - ±5% - 1/1	
175	1630 4823	Resistor - 82K Ω ±5% 1/16W	
176	1634 0000	Resistor - 0 Ω 1/16W	
177	1634 1002	Resistor - 10 Ω ±5% 1/16W	
178	1634 1100	Resistor - 110 Ω ±1% 1/16W	
179	1634 1243	Resistor - 124K Ω ±1% 1/16W	
180	1634 2002	Resistor - 20K Ω ±1% 1/16W	
181	1634 2490	Resistor - 249 Ω ±1% 1/16W	
182	1634 4022	Resistor - 40.2K Ω ±1% 1/16W	
183	1634 5600	Resistor - 560Ω ±1% 1/16W	
184	1634 6192	Resistor - 61.9 Ω ±1% 1/16W	
185	1644 0100	Capacitor - 10μF±20% 10V	
186	1644 0470	Capacitor - 47μF±20% 10V	
187	1644 2100	Capacitor - 10μF±20% 25V	
188	1650 3201	Resistor - 200Ω ±5% 1/8W	
189	1660 0100	Capacitor - 10PF ±0.5pF 50V	
190	1660 2101	Capacitor - 100pF - ±10% - 50V	
191	1660 2120	Capacitor - 12 pF ±5% 50V	
192	1660 2150	Capacitor - 15pF ±5% 50V	
193	1660 2181	Capacitor - 180pF ±5% 50V	
194	1660 2470	Capacitor - 47pF ±5% 50V	
195	1660 2471	Capacitor - 470pF - ±5% - 50V	
196	1660 4102	Capacitor - 1000pF ±10% 50V	
197	1660 4332	Capacitor - 3300pF - ±10% - 50V	
198	1660 6103	Capacitor - 10000pF - +80%-20%50	
199	1660 8104	Capacitor - 0.1μF+80-20% 25V	
200	1907 0016	IC - SDRAM-64M-1MX16X4 100MHZ G5	

## 8.FCU BOARD (230V B418)

### BATTERY

SYMBOL NO.	INDEX NO.
BAT1	112

### CAPACITOR

SYMBOL NO.	INDEX NO.
C1	203
C2	148
C3	203
C4	148
C5	148
C6	203
C7	203
C8	191
C9	189
C10	191

SYMBOL NO.	INDEX NO.
C11	144
C12	203
C13	195
C14	203
C15	196
C16	143
C17	189
C18	203
C19	203
C20	203

SYMBOL NO.	INDEX NO.
C21	189
C22	189
C23	203
C24	---
C25	145
C26	---
C27	---
C28	---
C29	203
C30	203

SYMBOL NO.	INDEX NO.
C31	---
C32	203
C33	203
C34	199
C35	203
C36	203
C37	200
C38	189
C39	203
C40	203

SYMBOL NO.	INDEX NO.
C41	203
C42	193
C43	193
C44	193
C45	199
C46	203
C47	194
C48	---
C49	---
C50	---

SYMBOL NO.	INDEX NO.
C51	202
C52	203
C53	---
C54	146
C55	150
C56	193
C57	193
C58	203
C59	203
C60	190

### CAPACITOR

SYMBOL NO.	INDEX NO.
C61	141
C62	141
C63	203
C64	203
C65	203
C66	203
---	---
C68	203
C69	203
C70	203

SYMBOL NO.	INDEX NO.
C71	194
C72	150
C73	203
C74	142
C75	203
C76	142
C77	203
C78	203
C79	203
C80	203

SYMBOL NO.	INDEX NO.
C81	202
C82	203
C83	203
C84	203
C85	203
C86	199
C87	199
C88	202
C89	202
C90	202

SYMBOL NO.	INDEX NO.
C91	202
C92	203
C93	203
C94	---
C95	203
C96	203
C97	199
C98	199
C99	199
C100	203

SYMBOL NO.	INDEX NO.
C101	203
C102	203
C103	---
C104	---
C105	203
C106	203
C107	147
C108	203
C109	147
C110	200

SYMBOL NO.	INDEX NO.
C111	151
C112	203
C113	203
C114	203
C115	203
C116	199
C117	199
C118	199
C119	203
C120	199

SYMBOL NO.	INDEX NO.
C121	194
C122	203
C123	194
C124	194
C125	203
C126	203
C127	197
C128	203
C129	202
C130	203

## 8.FCU BOARD (230V B418)

### CAPACITOR

SYMBOL NO.	INDEX NO.
C131	203
C132	203
C133	203
C134	203
C135	203
C136	201
C137	203
C138	203
C139	203
C140	---

SYMBOL NO.	INDEX NO.
C141	203
C142	---
C143	---
C144	203
C145	202
C146	194
C147	194
C148	194
C149	194
C150	194

SYMBOL NO.	INDEX NO.
C151	194
C152	194
C153	203
C154	203
C155	203
C156	149
C157	203
C158	---
C159	---
C160	203

SYMBOL NO.	INDEX NO.
C161	199
C162	202
C163	202
C164	202
C165	202
C166	198
C167	198
C168	202
C169	202
C170	---

SYMBOL NO.	INDEX NO.
C171	202
C172	152
C173	199
C174	202
C175	199
C176	203
C177	202

### CONNECTOR

SYMBOL NO.	INDEX NO.
CN600	105
CN601	107
CN602	110
CN603	106
CN610	102
CN611	101
CN612	104
CN615	103
CN620	108
CN621	109

### DIODE

SYMBOL NO.	INDEX NO.
D3	119
D4	121
D5	118
D6	119
D7	119

### FILTER

SYMBOL NO.	INDEX NO.
FIL1	153
FIL2	156
FIL3	156
FIL4	156
FIL5	156
FIL6	156
FIL7	156
FIL8	156
FIL9	153
FIL10	156

### HIC

SYMBOL NO.	INDEX NO.
HIC1	3

### IC

SYMBOL NO.	INDEX NO.
IC1	130
IC6	125
IC7	133
IC9	204
IC10	125
IC11	126
IC12	2
IC14	1
IC15	129
IC16	131

SYMBOL NO.	INDEX NO.
IC17	132
IC19	128
IC20	130
IC21	127
IC22	124
IC23	130
IC25	124
IC26	205

### JP

SYMBOL NO.	INDEX NO.
JP1	179
JP2	179
JP3	179
JP4	179
JP6	179
JP9	179
JP10	179
JP11	179

### L

SYMBOL NO.	INDEX NO.
L2	155
L4	154

### LED

SYMBOL NO.	INDEX NO.
LED1	122
LED2	123

## 8.FCU BOARD (230V B418)

### OSC

SYMBOL NO.	INDEX NO.
OSC1	135
OSC3	134

### Q

SYMBOL NO.	INDEX NO.
Q1	114
Q4	113
Q5	113
Q6	115
Q8	117
Q9	116

### RESISTOR

SYMBOL NO.	INDEX NO.
R1	158
R2	159
R3	159
R4	175
R5	183
R6	184
R7	186
R8	188
R9	184
R10	186

SYMBOL NO.	INDEX NO.
R11	163
R12	158
R13	158
R14	187
R15	175
R16	181
R25	171
R26	163
R27	171
R28	171

SYMBOL NO.	INDEX NO.
R29	174
R30	164
R31	161
R35	163
R38	171
R39	171
R40	163
R41	161
R42	168
R43	171

SYMBOL NO.	INDEX NO.
R44	171
R45	160
R46	171
R47	171
R48	174
R49	171
R50	164
R52	163
R53	163
R54	163

SYMBOL NO.	INDEX NO.
R55	165
R56	178
R57	176
R58	176
R59	170
R60	164
R61	170
R62	169
R63	177
R64	182

### RESISTOR

SYMBOL NO.	INDEX NO.
R65	182
R66	161
R67	176
R68	176
R69	176
R70	176
R77	171
R84	163
R86	192
R87	163

SYMBOL NO.	INDEX NO.
R88	164
R89	157
R90	164
R91	167
R92	167
R93	166
R94	170
R95	163
R96	164
R97	163

SYMBOL NO.	INDEX NO.
R98	174
R99	174
R100	170
R101	173
R102	173
R103	163
R107	171
R108	171
R109	171
R110	171

SYMBOL NO.	INDEX NO.
R111	171
R112	171
R113	171
R114	171
R115	164
R116	164
R117	164
R118	171
R119	171
R120	171

SYMBOL NO.	INDEX NO.
R121	164
R122	169
R123	161
R124	172
R125	174
R126	185
R127	180
R138	171
R139	169
R140	169

SYMBOL NO.	INDEX NO.
R141	172
R142	161
R143	163
R144	160
R145	163
R147	171
R148	163
R149	160
R150	163
R151	171

SYMBOL NO.	INDEX NO.
R152	162
R153	171
R154	163
R155	163
R156	163
R157	164
R158	164
R159	164
R160	164
R161	163

## 8.FCU BOARD (230V B418)

### RESISTOR

SYMBOL NO.	INDEX NO.
R162	164

### RN

SYMBOL NO.	INDEX NO.
RN1	137
RN2	137
RN3	137
RN4	137
RN5	137
RN6	137
RN7	137
RN8	137
RN9	137
RN10	137

SYMBOL NO.	INDEX NO.
RN11	137
RN12	137
RN13	137
RN14	136
RN15	136
RN16	138
RN17	137
RN18	137
RN19	137
RN20	137

SYMBOL NO.	INDEX NO.
RN21	137
RN22	137
RN23	137
RN24	137
RN25	139
RN26	139
RN27	139
RN28	139
RN29	139
RN30	137

SYMBOL NO.	INDEX NO.
RN31	137
RN32	137
RN33	137
RN34	136
RN35	136
RN36	139
RN37	140
RN38	140
RN39	140
RN40	140

SYMBOL NO.	INDEX NO.
RN41	140
RN42	140
RN43	140
RN44	140
RN45	140
RN46	140
RN47	136
RN48	136
RN49	136

### SWITCH

SYMBOL NO.	INDEX NO.
SW1	111

### ZD

SYMBOL NO.	INDEX NO.
ZD1	120



## 8.FCU BOARD (230V B418)

Index No.	Part No.	Description	Q'ty Per Assembly
*	B418 5173	FCU Board - EU	1
1	B005 7101	IC - FBI	1
2	B028 5510	IC - FACE2	1
3	H306 7103	IC - HICRW2	1

Index No.	Part No.	Description	Q'ty Per Assembly
101	1102 4204	CT Header - 5P	
102	1102 4212	CT Header - 15P	
103	1102 4464	CT Header(H) - 6P	
104	1102 4619	Connector - 2P	
105	1102 7098	Connector - TX25-80P-6ST-N1	
106	1102 7389	Connector - FH12-50S-0.5SV	
107	1102 7455	Connector - FX6-60S-0.8SV2	
108	1102 8063	Connector - 54373-0600	
109	1102 8089	Connector - 53493-0801	
110	1102 8189	Dimm Connector - 54534-1440	
111	1204 2373	Key Bord Switch - SKQDPA	
112	1206 0084	Lithium Cell - VL2330/1HF	
113	1400 0398	Transistor - 2SC2412K	
114	1400 0637	Transistor - DTC144EUA	
115	1400 0769	Transistor - 2SA1576A	
116	1400 0822	Transistor - 2SA1900	
117	1401 1116	Transistor - 2SC5053	
118	1402 1336	Diode - 1SS355	
119	1402 1343	Diode - RB106L-40	
120	1402 1345	Diode - UDZ3.6B	
121	1402 1437	Diode - RB500V-40	
122	1403 0829	Diode - SEC1201C	
123	1403 0945	LED - SEC1401C	
124	1407 1878	IC - TC4053BF	
125	1407 4532	IC - HD74HCT244FP	
126	1407 4533	IC - HD74HCT245FP	
127	1407 4649	IC - TC7S32FU	
128	1407 5010	IC - TC7SET08FU	
129	1407 5197	IC - TC7SZ126FU	
130	1408 0942	IC - BA4558F	
131	1408 1105	IC - RH5VL28C	
132	1408 1416	IC - RH5RI331B	
133	1408 1477	IC - R288F-29	
134	1503 0758	Oscillator - MC-306 32.768MHZ	
135	1503 0906	Oscilator - 28.224mhz	

Index No.	Part No.	Description	Q'ty Per Assembly
136	1601 7752	Resistor Array - 10K $\Omega$ $\pm$ 5%	
137	1601 7867	Resistor - 33 $\Omega$ $\pm$ 5% 1/16W	
138	1601 7877	Resistor Array 4.7k $\Omega$ $\pm$ 5% 1/3	
139	1601 7898	Resistor Array	
140	1601 7899	Resister Array - 56 $\Omega$ $\pm$ 5% 1/1	
141	1604 4335	Capacitor - 220 $\mu$ F $\pm$ 20% 10V	
142	1604 4428	Capacitor - 100 $\mu$ F20% 16V	
143	1604 4518	Capacitor - 3.3 $\mu$ F $\pm$ 20% 25V	
144	1604 4550	Capacitor - 220 $\mu$ F $\pm$ 20% 25V	
145	1605 0870	Capacitor - 1200pF $\pm$ 10% 50V	
146	1605 1055	Capacitor - 0.022 $\mu$ F $\pm$ 10% 25V	
147	1605 1122	Capacitor - 1 $\mu$ F+80-20% 10V	
148	1605 1133	Capacitor - 510pF $\pm$ 5% 50V	
149	1605 1143	Capacitor - 0.15 $\mu$ F $\pm$ 10% 25V	
150	1605 1167	Capacitor - 0.22 $\mu$ F $\pm$ 10% 10V	
151	1605 1181	Capacitor - 10 $\mu$ F+80-20% 10V	
152	1605 1225	Capacitor - 0.1 $\mu$ F $\pm$ 10% 50V	
153	1607 0861	Filter - Bk2125hs101	
154	1607 0897	Choke Coil - ELC08D271	
155	1607 0917	Inductor - LK2125 8R2K	
156	1607 1042	Filter - ACB1608M-600	
157	1630 1681	Resistor - 680 $\Omega$ $\pm$ 5%	
158	1630 3100	Resistor - 10 $\Omega$ $\pm$ 5% 1/10W	
159	1630 3331	Resistor - 330 $\Omega$ $\pm$ 5% 1/10W	
160	1630 4100	Resistor - 10 $\Omega$ $\pm$ 5% 1/16W	
161	1630 4101	Resistor - 100 $\Omega$ $\pm$ 5% 1/16W	
162	1630 4102	Resistor - 1.0K $\Omega$ $\pm$ 5% 1/16W	
163	1630 4103	Resistor - 10K $\Omega$ $\pm$ 5% 1/16W	
164	1630 4104	Resistor - 100 $\Omega$ $\pm$ 5% 1/16W	
165	1630 4105	Resistor - 1.0M $\Omega$ $\pm$ 5% 1/16W	
166	1630 4123	Resistor - 12k $\Omega$ - $\pm$ 5% 1/16W	
167	1630 4184	Resistor - 180k $\Omega$ $\pm$ 5% 1/16W	
168	1630 4202	Resistor - 2k $\Omega$ - $\pm$ 5% 1/6W	
169	1630 4204	Resistor - 200K $\Omega$ $\pm$ 5% 1/16W	
170	1630 4223	Resistor - 22K $\Omega$ $\pm$ 5% 1/16W	

Index No.	Part No.	Description	Q'ty Per Assembly
171	1630 4330	Resistor - 33 $\Omega$ $\pm$ 5% 1/8W	
172	1630 4332	Resistor - 3.3K $\Omega$ $\pm$ 5% 1/16W	
173	1630 4333	Resistor - 33K $\Omega$ $\pm$ 5% 1/16W	
174	1630 4472	Resistor - 4.7K $\Omega$ $\pm$ 5% 1/16W	
175	1630 4473	Resistor - 47k $\Omega$ - $\pm$ 5% - 1/16	
176	1630 4560	Resistor - 56 $\Omega$ $\pm$ 5% 1/16W	
177	1630 4562	Resistor - 5.6k $\Omega$ - $\pm$ 5% - 1/1	
178	1630 4823	Resistor - 82K $\Omega$ $\pm$ 5% 1/16W	
179	1634 0000	Resistor - 0 $\Omega$ 1/16W	
180	1634 1000	Resistor - 100 $\Omega$ $\pm$ 1% 1/16W	
181	1634 1002	Resistor - 10 $\Omega$ $\pm$ 5% 1/16W	
182	1634 1100	Resistor - 110 $\Omega$ $\pm$ 1% 1/16W	
183	1634 1243	Resistor - 124K $\Omega$ $\pm$ 1% 1/16W	
184	1634 2002	Resistor - 20K $\Omega$ $\pm$ 1% 1/16W	
185	1634 3900	Resistor - 390 $\Omega$ $\pm$ 1% 1/16W	
186	1634 4022	Resistor - 40.2K $\Omega$ $\pm$ 1% 1/16W	
187	1634 5600	Resistor - 560 $\Omega$ $\pm$ 1% 1/16W	
188	1634 6192	Resistor - 61.9 $\Omega$ $\pm$ 1% 1/16W	
189	1644 0100	Capacitor - 10 $\mu$ F $\pm$ 20% 10V	
190	1644 0470	Capacitor - 47 $\mu$ F $\pm$ 20% 10V	
191	1644 2100	Capacitor - 10 $\mu$ F $\pm$ 20% 25V	
192	1650 3201	Resistor - 200 $\Omega$ $\pm$ 5% 1/8W	
193	1660 0100	Capacitor - 10PF $\pm$ 0.5pF 50V	
194	1660 2101	Capacitor - 100pF - $\pm$ 10% - 50V	
195	1660 2120	Capacitor - 12 pF $\pm$ 5% 50V	
196	1660 2150	Capacitor - 15pF $\pm$ 5% 50V	
197	1660 2181	Capacitor- 180pF $\pm$ 5% 50v	
198	1660 2470	Capacitor - 47pF $\pm$ 5% 50V	
199	1660 2471	Capacitor - 470pF - $\pm$ 5% - 50V	
200	1660 4102	Capacitor - 1000pF $\pm$ 10% 50V	
201	1660 4332	Capacitor - 3300pF - $\pm$ 10% - 50V	
202	1660 6103	Capacitor - 10000pF - +80%-20%50	
203	1660 8104	Capacitor - 0.1 $\mu$ F+80-20% 25V	
204	1907 0016	IC - SDRAM-64M-1MX16X4 100MHZ G5	

# Parts Index

## Parts Index

Part No.	Description	Page and Index No.
B418 1370	NCU Cover	3- 19
B418 5001	MBU Board - NA	3- 9
B418 5001	MBU Board - NA	9- *
B418 5002	MBU Board - EU	3- 9
B418 5002	MBU Board - EU	9- *
B418 5172	FCU Board - NA	17- *
B418 5172	FCU Board - NA	3- 10
B418 5173	FCU Board - EU	3- 10
B418 5173	FCU Board - EU	21- *
B418 5185	DIMM - FAX	3- 15
B418 5195	NCU Board - 230V	13- *
B418 5195	NCU Board - 230V	3- 2
B418 5272	Harness - FCU-NCUSP - EU	3- 8
B418 7150	Key Top - Copy (USA)	3- 12
B418 7151	Keytop - FAX-NA	3- 11
B418 7152	Cover - Keytop - FAX - NA	3- 13
B418 7170	Key Top - Copy (EU)	3- 12
B418 7171	Keytop - FAX - EU	3- 14
B418 7172	Cover - Keytop - FAX - EU	3- 13
B418 8607	Operating Instructions - FAX-NA1	3- 18
B418 8657	Operating Instructions - FAX-NA2	3- 18

Part No.	Description	Page and Index No.
B005 7101	IC - FBI	21- 1
B005 7101	IC - FBI	17- 1
B024 5865	Bracket - NCU-upper	3- 5
B024 5866	Bracket - NCU-Lower	3- 6
B024 5868	Bracket - Speaker	3- 3
B027 1447	Keytop - FAX - NA	3- 14
B028 5192	FCUIF Board	3- 7
B028 5270	Harness - FCU-NCUSP - NA	3- 8
B028 5510	IC - FACE2	21- 2
B028 5510	IC - FACE2	17- 2
B031 5861	Shadeing Plate:fax Control Unit	3- 1
B404 3861	SG3 Decal	3- 16
B449 5190	CCUIF Board	5- 5
B449 5190	CCUIF Board	7- 7
B449 5271	Harness - G4	7- 3
B449 5831	Bracket - G4	7- 9
B450 5821	Bracket - Hand Set	3- 20
G025 1211	Speaker - GS	3- 4
G025 1211	Speaker - GS	7- 2
G025 1211	Speaker - GS	5- 3
H306 5216	Moduler Cord - ISDN	7- 1
H306 7103	IC - HICRW2	17- 3
H306 7103	IC - HICRW2	21- 3
H306 7111	Trans - LT9860	11- 1
H306 7121	Transformer - 98-60	13- 1
H502 7111	Transistor- 2SC4505Q	11- 2
H511 5007	Stamp	3- 21
H523 5350	Telephone Cable	5- 1
H523 5350	Telephone Cable	3- 17
H545 7108	HIC - 220/240V	13- 2
H547 6185	SIG4 Board	7- 8

Part No.	Description	Page and Index No.
A268 5272	FCU - Excom Harness	5- 6
A268 5272	FCU - Excom Harness	7- 6
A268 5273	Excom - NCU Harness (NA)	5- 9
A895 5170	SG3-V34 Board - NA	5- 4
A895 5810	Bracket Fax Option	5- 2
A895 5810	Bracket Fax Option	7- 4
A895 5811	Bracket Harness	5- 7
A895 5811	Bracket Harness	7- 5

Part No.	Description	Page and Index No.
5488 6122	NCU Board - 115V	3- 2
5488 6122	NCU Board - 115V	5- 8
5488 6122	NCU Board - 115V	11- *

Part No.	Description	Page and Index No.
0451 3006B	Tapping Screw - M3x6	3-101
0451 3006B	Tapping Screw - M3x6	5-101
0451 3006B	Tapping Screw - M3x6	7-102
0453 3006B	Tapping Screw - M3x6	3-103
0453 3006B	Tapping Screw - M3x6	5-103
0453 3006B	Tapping Screw - M3x6	7-101
1102 4204	CT Header - 5P	21-101
1102 4204	CT Header - 5P	13-101
1102 4212	CT Header - 15P	11-101
1102 4212	CT Header - 15P	17-101
1102 4212	CT Header - 15P	13-102
1102 4212	CT Header - 15P	21-102
1102 4464	CT Header(H) - 6P	21-103
1102 4464	CT Header(H) - 6P	17-102
1102 4473	CT Connector - 2p	5-104
1102 4473	CT Connector - 2p	7-104
1102 4619	Connector - 2P	21-104
1102 4619	Connector - 2P	17-103
1102 6415	Modular Cord - 6-6p	13-103
1102 6415	Modular Cord - 6-6p	11-102
1102 7098	Connector - TX25-80P-6ST-N1	17-104
1102 7098	Connector - TX25-80P-6ST-N1	21-105
1102 7389	Connector - FH12-50S-0.5SV	17-105
1102 7389	Connector - FH12-50S-0.5SV	21-106
1102 7455	Connector - FX6-60S-0.8SV2	17-106
1102 7455	Connector - FX6-60S-0.8SV2	21-107
1102 8063	Connector - 54373-0600	17-107
1102 8063	Connector - 54373-0600	21-108
1102 8089	Connector - 53493-0801	21-109
1102 8089	Connector - 53493-0801	17-108
1102 8189	DIMM Connector - 54534-1440	17-109
1102 8189	Dimm Connector - 54534-1440	21-110
1102 8616	Connector - FX6-60P-0.8SV1	9-101
1105 0441	Spacer - 8mm	3-104
1105 0460	Clamp	5-102

Part No.	Description	Page and Index No.
1105 0460	Clamp	7-103
1105 0487	Harness Clamp	7-105
1105 0516	Clamp	3-102
1107 0947	Fuse - 230.500	11-103
1204 2373	Key Bord Switch - SKQDPA	17-110
1204 2373	Key Bord Switch - SKQDPA	21-111
1204 2457	Slide Switch - SSSS712ZC	9-102
1206 0082	Lithium Cell- Cr2450-hj3	9-103
1206 0084	Lithium Cell - VL2330/1HF	21-112
1206 0084	Lithium Cell - VL2330/1HF	17-111
1208 1410	Relay - EC2-224ND	11-104
1208 1410	Relay - EC2-224ND	13-104
1208 1419	Relay - ALD124	13-105
1400 0358	Transistor - 2SA950-0	13-106
1400 0398	Transistor - 2SC2412K	21-113
1400 0398	Transistor - 2SC2412K	17-112
1400 0576	Transistor - 2SC3621	13-107
1400 0577	Transistor - 2SA1320	13-108
1400 0637	Transistor - DTC144EUA	17-113
1400 0637	Transistor - DTC144EUA	21-114
1400 0769	Transistor - 2SA1576A	17-114
1400 0769	Transistor - 2SA1576A	21-115
1400 0822	Transistor - 2SA1900	17-115
1400 0822	Transistor - 2SA1900	21-116
1400 0826	Transistor - 2SA1776	11-105
1400 0844	Transistor - FMG8A	13-109
1400 0844	Transistor - FMG8A	11-106
1401 0821	Diode - 1SS133	13-110
1401 0821	Diode - 1SS133	11-107
1401 1116	Transistor - 2SC5053	17-116
1401 1116	Transistor - 2SC5053	21-117
1402 1223	Diode - MTZJ2.0A	13-111
1402 1224	Diode - MTZJ5.1A	13-112
1402 1224	Diode - MTZJ5.1A	11-108
1402 1335	Bridge-s1wb(a)60	13-113

Part No.	Description	Page and Index No.
1402 1336	Diode - 1SS355	17-117
1402 1336	Diode - 1SS355	9-104
1402 1336	Diode - 1SS355	21-118
1402 1343	Diode - RB106L-40	17-118
1402 1343	Diode - RB106L-40	21-119
1402 1345	Diode - UDZ3.6B	17-119
1402 1345	Diode - UDZ3.6B	21-120
1402 1365	Diode - RB751V-40	9-105
1402 1437	Diode - RB500V-40	17-120
1402 1437	Diode - RB500V-40	21-121
1403 0598	Photo Coupler - PS2501-2	11-109
1403 0620	Photo Coupler	11-110
1403 0791	Photocoupler - PS2561-1-V	13-114
1403 0812	Photocoupler - PS2532-1-V	11-111
1403 0812	Photocoupler - PS2532-1-V	13-115
1403 0829	Diode - SEC1201C	17-121
1403 0829	Diode - SEC1201C	21-122
1403 0945	LED - SEC1401C	21-123
1403 0945	LED - SEC1401C	17-122
1403 0950	Photocoupler- PS2532-2-V	13-116
1404 0129	Varystor - VR - 63B	11-112
1404 0283	Varistor - TNR9G431K	13-117
1404 0341	Varystor - TNR9G101K	11-113
1404 0342	Varistor - TNR9G121K	13-118
1404 0937	Arastor - DSSV-401M-YD	11-114
1404 0983	Arrestor - RA-102MS-V7-F(5)	13-119
1405 0180	Rectifier - OR5G4B42	11-115
1405 0180	Rectifier - OR5G4B42	13-120
1407 1878	IC - TC4053BF	17-123
1407 1878	IC - TC4053BF	21-124
1407 4532	IC - HD74HCT244FP	21-125
1407 4532	IC - HD74HCT244FP	17-124
1407 4533	IC - HD74HCT245FP	21-126
1407 4533	IC - HD74HCT245FP	17-125
1407 4649	IC - TC7S32FU	21-127

Part No.	Description	Page and Index No.
1407 4649	IC - TC7S32FU	17-126
1407 4845	IC - TC7S66F	9-106
1407 5010	IC - TC7SET08FU	17-127
1407 5010	IC - TC7SET08FU	21-128
1407 5151	IC - MBM29F160TE70TN	9-107
1407 5197	IC - TC7SZ126FU	17-128
1407 5197	IC - TC7SZ126FU	21-129
1408 0942	IC - BA4558F	17-129
1408 0942	IC - BA4558F	21-130
1408 1105	IC - RH5VL28C	21-131
1408 1105	IC - RH5VL28C	17-130
1408 1333	IC - BA6162F	9-108
1408 1416	IC - RH5RI331B	21-132
1408 1416	IC - RH5RI331B	17-131
1408 1477	IC - R288F-29	21-133
1408 1477	IC - R288F-29	17-132
1503 0758	Oscillator - MC-306 32.768MHZ	21-134
1503 0758	Oscillator - MC-306 32.768MHZ	17-133
1503 0906	Oscilator - 28.224mhz	21-135
1503 0906	Oscilator - 28.224mhz	17-134
1600 1638	Resistor - 47 $\Omega$ $\pm$ 5% 1W	13-121
1601 5276	Resistor - 18 $\Omega$	11-116
1601 5420	Resistor - 120 $\Omega$ $\pm$ 5% 2W	13-122
1601 7752	Resistor Array - 10K $\Omega$ $\pm$ 5%	21-136
1601 7752	Resistor Array - 10K $\Omega$ $\pm$ 5%	17-135
1601 7867	Resistor - 33 $\Omega$ $\pm$ 5% 1/16W	21-137
1601 7867	Resistor - 33 $\Omega$ $\pm$ 5% 1/16W	17-136
1601 7877	Resistor Array 4.7k $\Omega$ $\pm$ 5% 1/3	21-138
1601 7877	Resistor Array 4.7k $\Omega$ $\pm$ 5% 1/3	17-137
1601 7898	Resistor Array	17-138
1601 7898	Resistor Array	21-139
1601 7899	Resister Array - 56 $\Omega$ $\pm$ 5% 1/1	21-140
1601 7899	Resister Array - 56 $\Omega$ $\pm$ 5% 1/1	17-139
1604 4301	Capacitor - 220 $\mu$ F $\pm$ 20%	13-123
1604 4306	Capacitor	9-109

Part No.	Description	Page and Index No.
1604 4335	Capacitor - 220 $\mu$ F $\pm$ 20% 10V	21-141
1604 4335	Capacitor - 220 $\mu$ F $\pm$ 20% 10V	17-140
1604 4428	Capacitor - 100 $\mu$ F 20% 16V	17-141
1604 4428	Capacitor - 100 $\mu$ F 20% 16V	21-142
1604 4518	Capacitor - 3.3 $\mu$ F $\pm$ 20% 25V	21-143
1604 4550	Capacitor - 220 $\mu$ F $\pm$ 20% 25V	17-142
1604 4550	Capacitor - 220 $\mu$ F $\pm$ 20% 25V	21-144
1604 4619	Capacitor - 10 $\mu$ F 10V $\pm$ 20%	9-110
1605 0870	Capacitor - 1200pF $\pm$ 10% 50V	21-145
1605 0870	Capacitor - 1200pF $\pm$ 10% 50V	17-143
1605 0976	Capacitor - 1 $\mu$ F +80% -20% 10V	9-111
1605 1055	Capacitor - 0.022 $\mu$ F $\pm$ 10% 25V	21-146
1605 1055	Capacitor - 0.022 $\mu$ F $\pm$ 10% 25V	17-144
1605 1122	Capacitor - 1 $\mu$ F +80-20% 10V	21-147
1605 1122	Capacitor - 1 $\mu$ F +80-20% 10V	17-145
1605 1133	Capacitor - 510pF $\pm$ 5% 50V	21-148
1605 1133	Capacitor - 510pF $\pm$ 5% 50V	17-146
1605 1143	Capacitor - 0.15 $\mu$ F $\pm$ 10% 25V	21-149
1605 1159	Capacitor - 0.068 $\mu$ F $\pm$ 10% 16V	17-147
1605 1167	Capacitor - 0.22 $\mu$ F $\pm$ 10% 10V	17-148
1605 1167	Capacitor - 0.22 $\mu$ F $\pm$ 10% 10V	21-150
1605 1181	Capacitor - 10 $\mu$ F +80-20% 10V	21-151
1605 1181	Capacitor - 10 $\mu$ F +80-20% 10V	17-149
1605 1225	Capacitor - 0.1 $\mu$ F $\pm$ 10% 50V	21-152
1606 1761	Capacitor - 1.0 $\mu$ F 250V	13-124
1606 1860	Capacitor - 0.47 $\mu$ F 250V	11-117
1606 1860	Capacitor - 0.47 $\mu$ F 250V	13-125
1606 1877	Capacitor - 0.027 $\mu$ F $\pm$ 10%	13-126
1606 2026	Capacitor - 0.1 $\mu$ F $\pm$ 10%	13-127
1607 0069	Fuse - BI02RN2-R62-PB	11-118
1607 0069	Fuse - BL02RN2-R62-PB	13-128
1607 0396	Choke - SBT-0180W	11-119
1607 0536	Fuse Core - EXCELDR35C	13-129
1607 0760	Coil - TLF9UB302W	13-130
1607 0861	Filter - Bk2125hs101	21-153

Part No.	Description	Page and Index No.
1607 0861	Filter - BK2125HS101	17-150
1607 0897	Choke Coil - ELC08D271	21-154
1607 0897	Choke Coil - ELC08D271	17-151
1607 0917	Inductor - LK2125 8R2K	17-152
1607 0917	Inductor - LK2125 8R2K	21-155
1607 1042	Filter - ACB1608M-600	17-153
1607 1042	Filter - ACB1608M-600	21-156
1607 1083	Coil - ELF1010SKI-332J	13-131
1611 4120	Resistor - 12 $\Omega$ 1/4W	13-132
1611 4153	Resistor - 15K $\Omega$ 1/4T $\pm$ 5%	13-133
1611 4473	Resistor - 47K $\Omega$ 1/4T $\pm$ 5%	11-120
1611 9182	Resistor - 1.8k $\Omega$ $\pm$ 5% 1/2W	11-121
1611 9303	Resistor - 30k $\Omega$ $\pm$ 5% 1/2W	13-134
1630 1681	Resistor - 680 $\Omega$ $\pm$ 5%	21-157
1630 1681	Resistor - 680 $\Omega$ $\pm$ 5%	17-154
1630 3100	Resistor - 10 $\Omega$ $\pm$ 5% 1/10W	13-135
1630 3100	Resistor - 10 $\Omega$ $\pm$ 5% 1/10W	17-155
1630 3100	Resistor - 10 $\Omega$ $\pm$ 5% 1/10W	21-158
1630 3103	Resistor - 10K $\Omega$ 1/10W $\pm$ 5%	13-136
1630 3104	Resistor - 100K $\Omega$ 1/10W $\pm$ 5%	11-122
1630 3151	Resistor - 150 $\Omega$ $\pm$ 5% 1/10W	11-123
1630 3180	Resistor - 18 $\Omega$ $\pm$ 5% 1/10W	11-124
1630 3302	Resistor - 3k $\Omega$ - 1/10W	13-137
1630 3331	Resistor - 330 $\Omega$ $\pm$ 5% 1/10W	21-159
1630 3331	Resistor - 330 $\Omega$ $\pm$ 5% 1/10W	17-156
1630 3392	Resistor - 3.9k $\Omega$ - 1/10W	11-125
1630 3471	Resistor - 470 $\Omega$ - 1/10W	13-138
1630 3472	Resistor - 4.7K $\Omega$ 1/10W $\pm$ 5%	13-139
1630 4100	Resistor - 10 $\Omega$ $\pm$ 5% 1/16W	21-160
1630 4100	Resistor - 10 $\Omega$ $\pm$ 5% 1/16W	17-157
1630 4101	Resistor - 100 $\Omega$ $\pm$ 5% 1/16W	17-158
1630 4101	Resistor - 100 $\Omega$ $\pm$ 5% 1/16W	21-161
1630 4102	Resistor - 1.0K $\Omega$ $\pm$ 5% 1/16W	17-159
1630 4102	Resistor - 1.0K $\Omega$ $\pm$ 5% 1/16W	21-162
1630 4103	Resistor - 10K $\Omega$ $\pm$ 5% 1/16W	9-112



Part No.	Description	Page and Index No.
1630 4103	Resistor - 10K $\Omega$ $\pm$ 5% 1/16W	17-160
1630 4103	Resistor - 10K $\Omega$ $\pm$ 5% 1/16W	21-163
1630 4104	Resistor - 100 $\Omega$ $\pm$ 5% 1/16W	9-113
1630 4104	Resistor - 100 $\Omega$ $\pm$ 5% 1/16W	17-161
1630 4104	Resistor - 100 $\Omega$ $\pm$ 5% 1/16W	21-164
1630 4105	Resistor - 1.0M $\Omega$ $\pm$ 5% 1/16W	17-162
1630 4105	Resistor - 1.0M $\Omega$ $\pm$ 5% 1/16W	21-165
1630 4123	Resistor - 12k $\Omega$ - $\pm$ 5% 1/16W	21-166
1630 4123	Resistor - 12k $\Omega$ - $\pm$ 5% 1/16W	17-163
1630 4184	Resistor - 180k $\Omega$ $\pm$ 5% 1/16W	21-167
1630 4184	Resistor - 180k $\Omega$ $\pm$ 5% 1/16W	17-164
1630 4202	Resistor - 2k $\Omega$ - $\pm$ 5% 1/6W	17-165
1630 4202	Resistor - 2k $\Omega$ - $\pm$ 5% 1/6W	21-168
1630 4204	Resistor - 200K $\Omega$ $\pm$ 5% 1/16W	21-169
1630 4204	Resistor - 200K $\Omega$ $\pm$ 5% 1/16W	17-166
1630 4223	Resistor - 22K $\Omega$ $\pm$ 5% 1/16W	21-170
1630 4223	Resistor - 22K $\Omega$ $\pm$ 5% 1/16W	17-167
1630 4330	Resistor - 33 $\Omega$ $\pm$ 5% 1/8W	17-168
1630 4330	Resistor - 33 $\Omega$ $\pm$ 5% 1/8W	21-171
1630 4332	Resistor - 3.3K $\Omega$ $\pm$ 5% 1/16W	21-172
1630 4332	Resistor - 3.3K $\Omega$ $\pm$ 5% 1/16W	17-169
1630 4333	Resistor - 33K $\Omega$ $\pm$ 5% 1/16W	21-173
1630 4333	Resistor - 33K $\Omega$ $\pm$ 5% 1/16W	17-170
1630 4472	Resistor - 4.7K $\Omega$ $\pm$ 5% 1/16W	21-174
1630 4472	Resistor - 4.7K $\Omega$ $\pm$ 5% 1/16W	17-171
1630 4473	Resistor - 47k $\Omega$ - $\pm$ 5% - 1/16	21-175
1630 4473	Resistor - 47k $\Omega$ - $\pm$ 5% - 1/16	17-172
1630 4560	Resistor - 56 $\Omega$ $\pm$ 5% 1/16W	21-176
1630 4560	Resistor - 56 $\Omega$ $\pm$ 5% 1/16W	17-173
1630 4562	Resistor - 5.6k $\Omega$ - $\pm$ 5% - 1/1	17-174
1630 4562	Resistor - 5.6k $\Omega$ - $\pm$ 5% - 1/1	21-177
1630 4823	Resistor - 82K $\Omega$ $\pm$ 5% 1/16W	21-178
1630 4823	Resistor - 82K $\Omega$ $\pm$ 5% 1/16W	17-175
1633 1602	Resistor - 16K $\Omega$ $\pm$ 1% 1/4W	13-140
1633 2002	Resistor - 20K $\Omega$ $\pm$ 1% 1/10W	11-126

Part No.	Description	Page and Index No.
1633 4702	Resistor - 47K $\Omega$ $\pm$ 1/10W	11-127
1633 7501	Resistor - 7.5K $\Omega$ $\pm$ 5% 1/10W	13-141
1634 0000	Resistor - 0 $\Omega$ 1/16W	17-176
1634 0000	Resistor - 0 $\Omega$ 1/16W	21-179
1634 1000	Resistor - 100 $\Omega$ $\pm$ 1% 1/16W	21-180
1634 1002	Resistor - 10 $\Omega$ $\pm$ 5% 1/16W	17-177
1634 1002	Resistor - 10 $\Omega$ $\pm$ 5% 1/16W	21-181
1634 1100	Resistor - 110 $\Omega$ $\pm$ 1% 1/16W	17-178
1634 1100	Resistor - 110 $\Omega$ $\pm$ 1% 1/16W	21-182
1634 1243	Resistor - 124K $\Omega$ $\pm$ 1% 1/16W	21-183
1634 1243	Resistor - 124K $\Omega$ $\pm$ 1% 1/16W	17-179
1634 2002	Resistor - 20K $\Omega$ $\pm$ 1% 1/16W	21-184
1634 2002	Resistor - 20K $\Omega$ $\pm$ 1% 1/16W	17-180
1634 2490	Resistor - 249 $\Omega$ $\pm$ 1% 1/16W	17-181
1634 3900	Resistor - 390 $\Omega$ $\pm$ 1% 1/16W	21-185
1634 4022	Resistor - 40.2K $\Omega$ $\pm$ 1% 1/16W	21-186
1634 4022	Resistor - 40.2K $\Omega$ $\pm$ 1% 1/16W	17-182
1634 5600	Resistor - 560 $\Omega$ $\pm$ 1% 1/16W	21-187
1634 5600	Resistor - 560 $\Omega$ $\pm$ 1% 1/16W	17-183
1634 6192	Resistor - 61.9 $\Omega$ $\pm$ 1% 1/16W	21-188
1634 6192	Resistor - 61.9 $\Omega$ $\pm$ 1% 1/16W	17-184
1640 5101	Capacitor - 100 $\mu$ F $\pm$ 20% 50V	13-142
1640 5221	Capacitor - 220 $\mu$ F $\pm$ 20% 50V	11-128
1643 5100	Capacitor - 10 $\mu$ F $\pm$ 20% 50V	13-143
1643 5100	Capacitor - 10 $\mu$ F $\pm$ 20% 50V	11-129
1643 5229	Capacitor - 2.2 $\mu$ F $\pm$ 20% 50V	11-130
1643 5479	Capacitor - 4 $\mu$ F $\pm$ 20% 50V	13-144
1644 0100	Capacitor - 10 $\mu$ F $\pm$ 20% 10V	9-114
1644 0100	Capacitor - 10 $\mu$ F $\pm$ 20% 10V	21-189
1644 0100	Capacitor - 10 $\mu$ F $\pm$ 20% 10V	17-185
1644 0470	Capacitor - 47 $\mu$ F $\pm$ 20% 10V	21-190
1644 0470	Capacitor - 47 $\mu$ F $\pm$ 20% 10V	17-186
1644 2100	Capacitor - 10 $\mu$ F $\pm$ 20% 25V	17-187
1644 2100	Capacitor - 10 $\mu$ F $\pm$ 20% 25V	21-191
1650 3201	Resistor - 200 $\Omega$ $\pm$ 5% 1/8W	21-192

Part No.	Description	Page and Index No.
1650 3201	Resistor - 200Ω ±5% 1/8W	17-188
1660 0100	Capacitor - 10PF ±0.5pF 50V	17-189
1660 0100	Capacitor - 10PF ±0.5pF 50V	21-193
1660 2101	Capacitor - 100pF - ±10% - 50V	17-190
1660 2101	Capacitor - 100pF - ±10% - 50V	9-115
1660 2101	Capacitor - 100pF - ±10% - 50V	21-194
1660 2120	Capacitor - 12 pF ±5% 50V	21-195
1660 2120	Capacitor - 12 pF ±5% 50V	17-191
1660 2150	Capacitor - 15pF ±5% 50V	17-192
1660 2150	Capacitor - 15pF ±5% 50V	21-196
1660 2181	Capacitor - 180pF ±5% 50V	17-193
1660 2181	Capacitor - 180pF ±5% 50v	21-197
1660 2470	Capacitor - 47pF ±5% 50V	17-194
1660 2470	Capacitor - 47pF ±5% 50V	21-198
1660 2471	Capacitor - 470pF - ±5% - 50V	21-199
1660 2471	Capacitor - 470pF - ±5% - 50V	17-195
1660 4102	Capacitor - 1000pF ±10% 50V	17-196
1660 4102	Capacitor - 1000pF ±10% 50V	21-200
1660 4332	Capacitor - 3300pF - ±10% - 50V	21-201
1660 4332	Capacitor - 3300pF - ±10% - 50V	17-197
1660 5102	Capacitor - 1000pF ±10% 50V	13-145
1660 5222	Capacitor - 2200pF ±10% 50V	13-146
1660 6103	Capacitor - 10000pF - +80%-20%50	21-202
1660 6103	Capacitor - 10000pF - +80%-20%50	17-198
1660 7103	Capacitor - 10000pF 50V	13-147
1660 8104	Capacitor - 0.1μF +80-20% 25V	21-203
1660 8104	Capacitor - 0.1μF +80-20% 25V	17-199
1660 8104	Capacitor - 0.1μF +80-20% 25V	9-116
1902 0041	IC - 1M X8 70NS G10	9-117
1907 0016	IC - SDRAM-64M-1MX16X4 100MHZ G5	17-200
1907 0016	IC - SDRAM-64M-1MX16X4 100MHZ G5	21-204

Part No.	Description	Page and Index No.